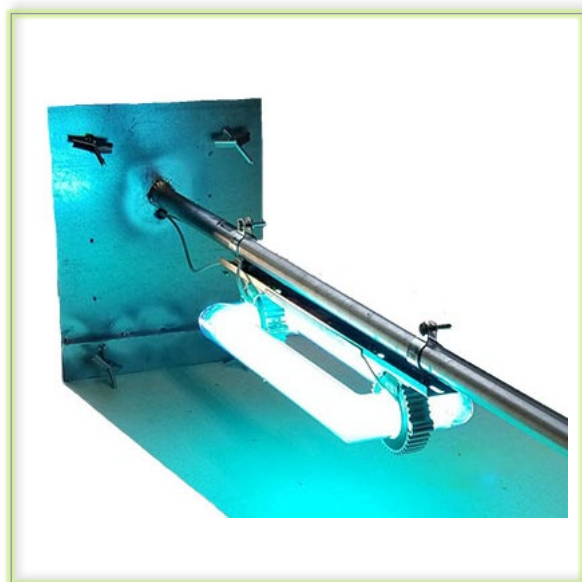


BuildingAirKleen – UVC system for building HVAC



The UV-KLEEN™ BuildingAirKleen (BAK) is a high intensity UVC sanitizing fixture for building HVAC system. The BAK series is designed to disinfect the air almost instantaneously when passing at close proximity of the lamp, sending sterilized air back into the room.

The BAK:

- Is unique HVAC fixture to kill up to 99.99% of viruses and bacteria
- Provides clean, sterilized, odor-free air back into the room
- Doesn't require maintenance, comes with a 5 year warranty
- Turns on with the HVAC blower fan
- Is Designed and Made in the USA

Applications:

Building HVAC system 22" to 120" wide ductwork

BuildingAirKleen GENERAL SPECIFICATIONS

OPERATING VOLTAGE

120-277Vac, 45-65 Hz

OPERATING FREQUENCY

45-65Hz

WATTAGE

300w, 600w

UV WATTAGE (at 1mt)

300W Model – 1345uW/cm²

600W model – 2690wW/cm²

TECHNOLOGY

Germicidal 253.7nm

SAFETY APPROVALS

UL, CE, ETL, RoHs, EMI/EMC compliance

OPERATING ENVIRONMENT

Approximately 25°C to 65°C

MATERIALS

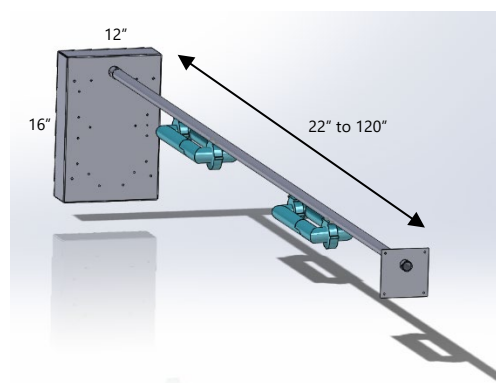
Premium stainless steel, Ballast (in Aluminum) circuit encapsulated in epoxy to retain integrity of circuitry in failure mode.

WARRANTY

Lamp, Ballast: 5 year

DIMENSIONS & WEIGHT

Contact the sales Rep



BAK Product Ordering Guideline

Model Number

UVK-BAK 1 W 300 UV CH
 Number of Lamps Lamp Optional

Number of Lamps: 1 or 2 **Lamp:** UV = UV lamp only

Optional: CH- Commercial Housing